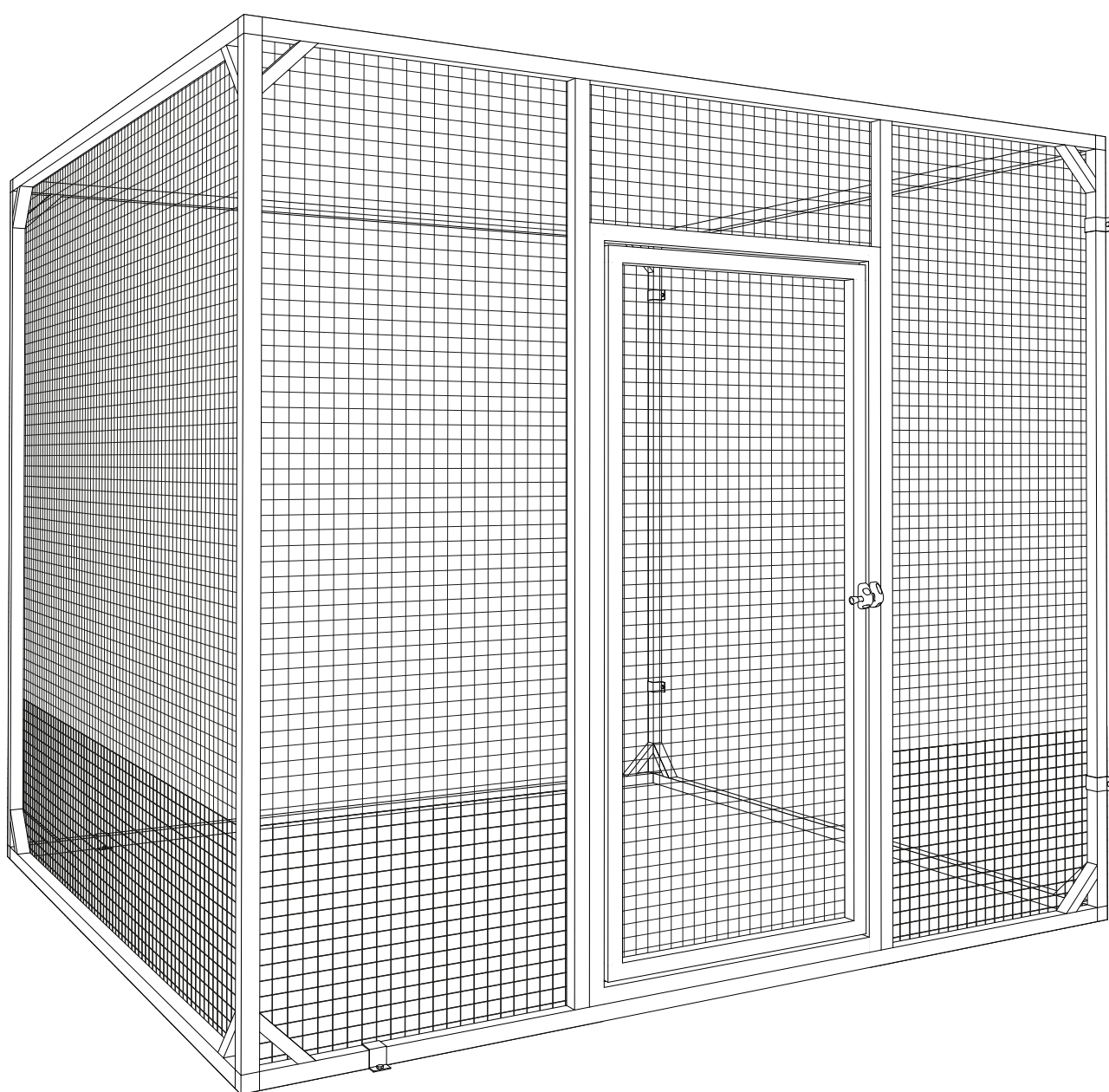
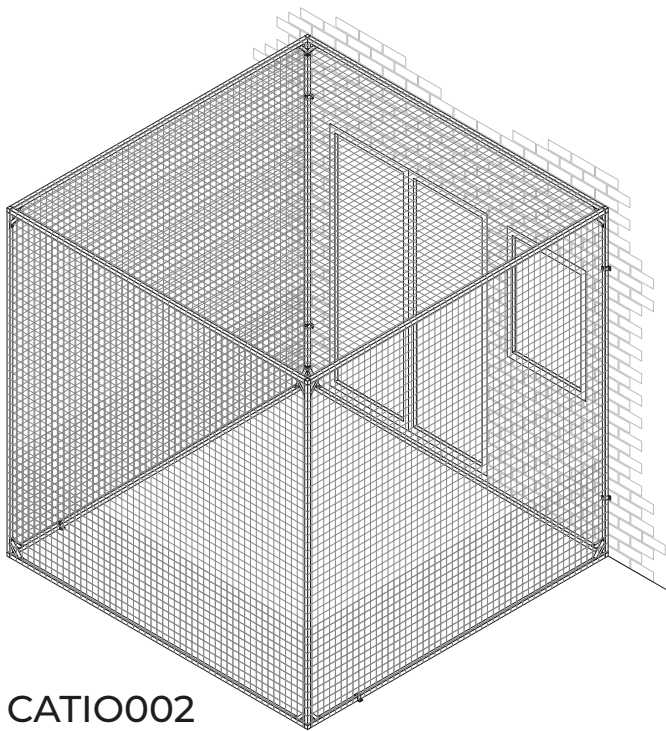
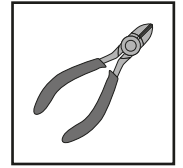
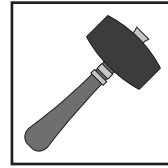
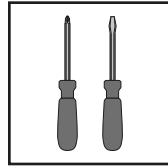
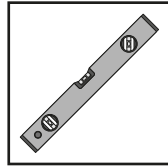
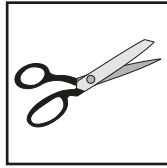
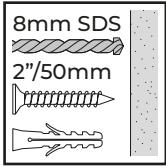
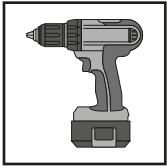
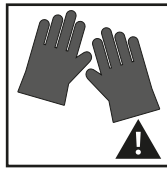


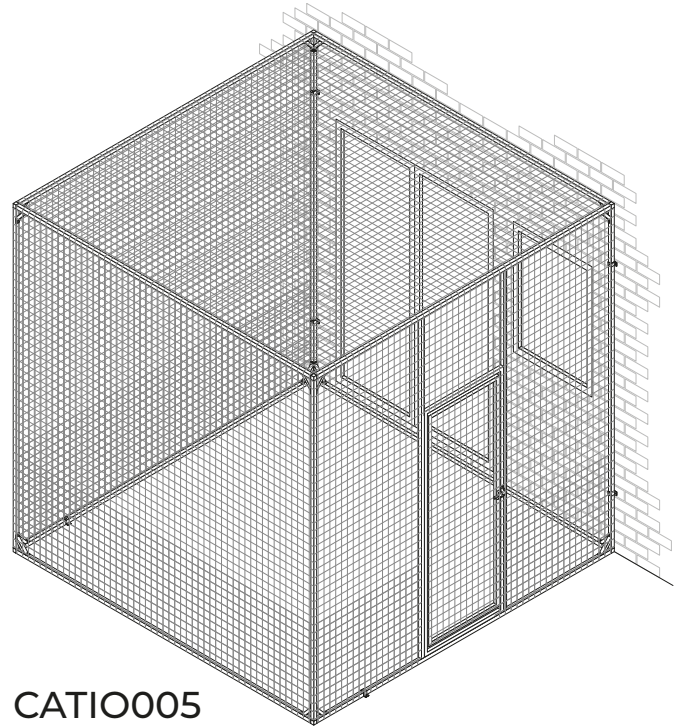
CATIO002

CATIO005

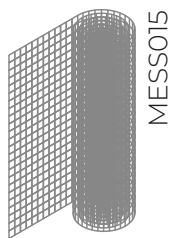




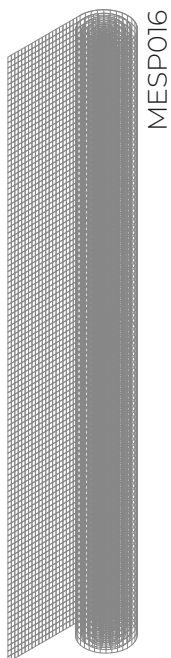
CATIO002



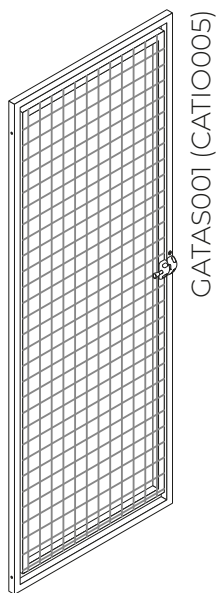
CATIO005



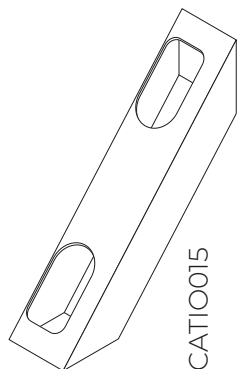
MESS015



MESP016



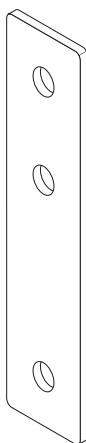
GATAS001 (CATIO005)



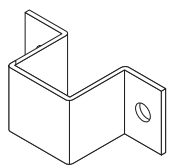
CATIO015



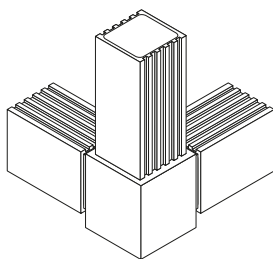
CATIO004



CATIO003 (CATIO005)



FIXTH001



FIXPC003



FIXWS002



FIXRP001



FIXM8030



FIXM8020



FIXM6030 (CATIO005)



GATUP002 (CATIO005)



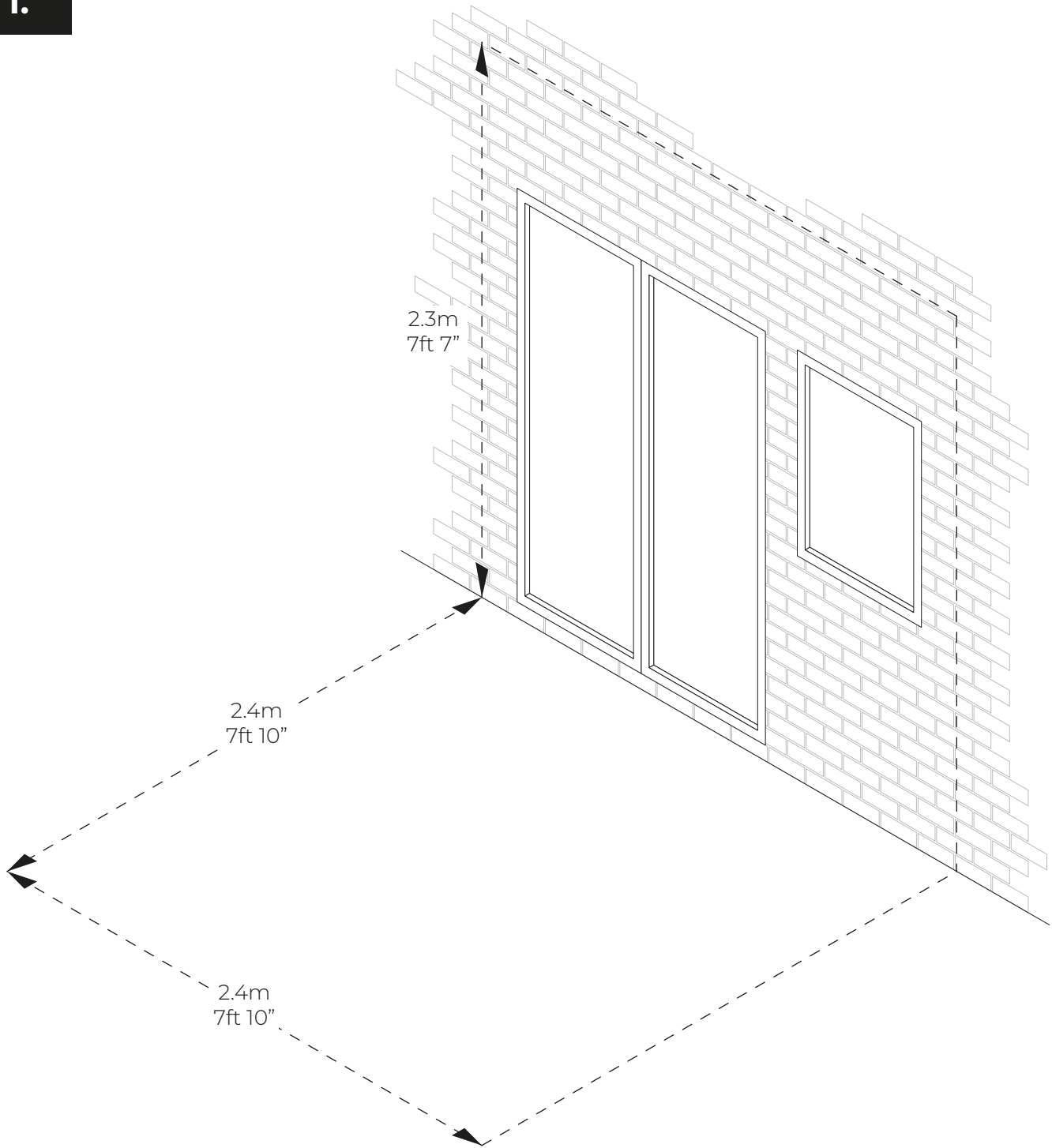
CATIO230



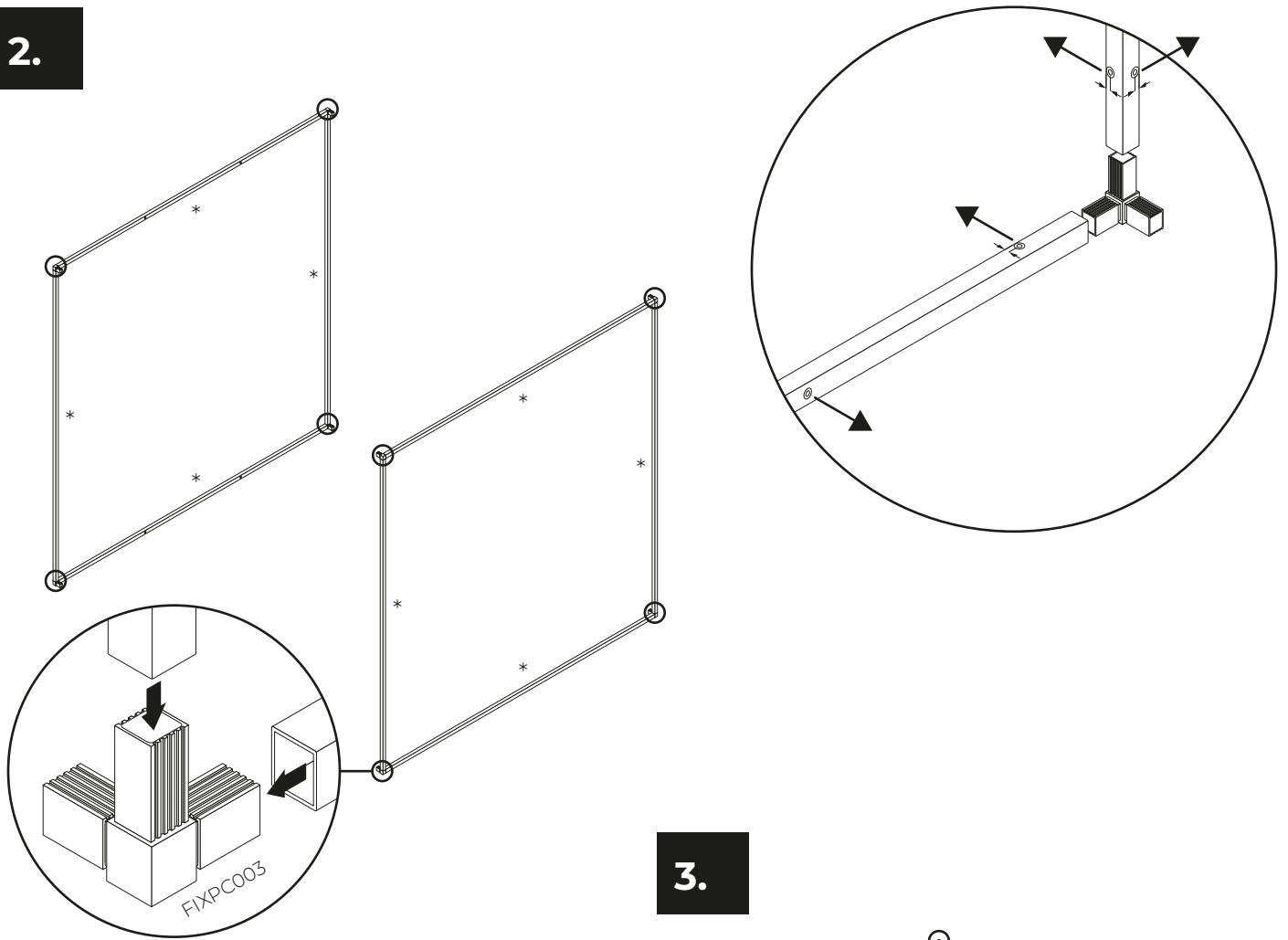
CATIO235



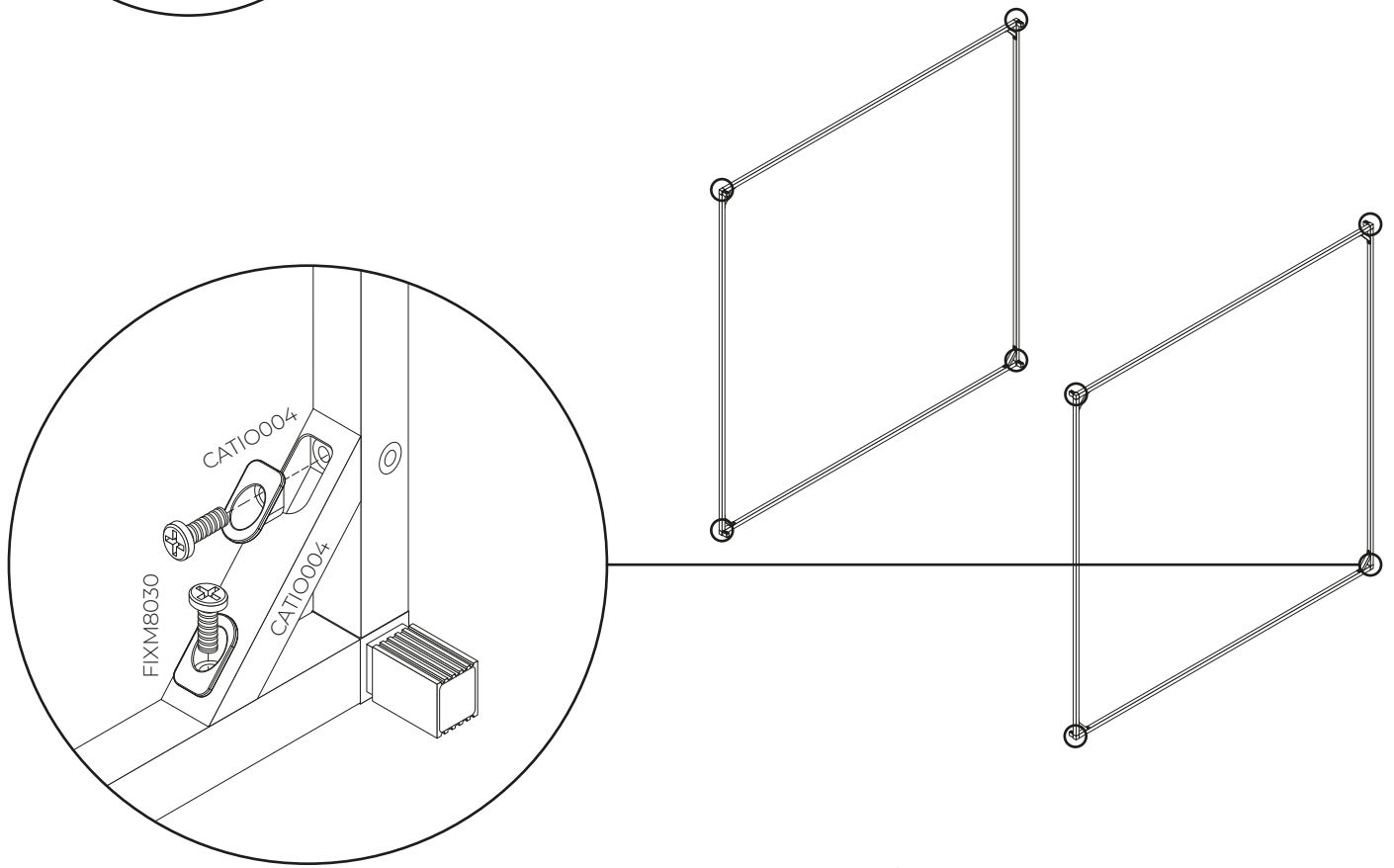
1.



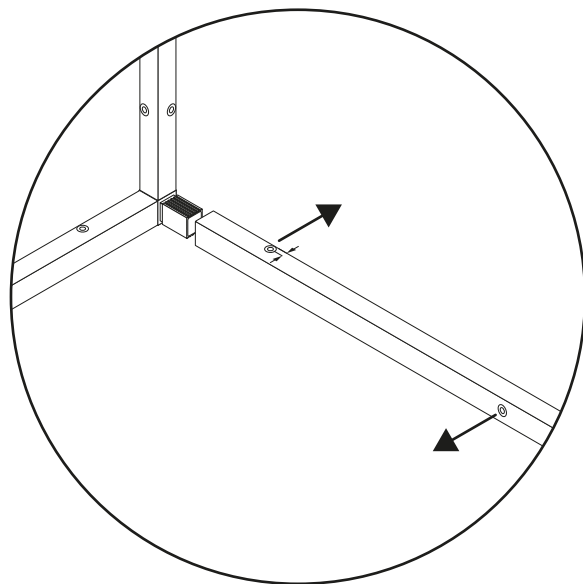
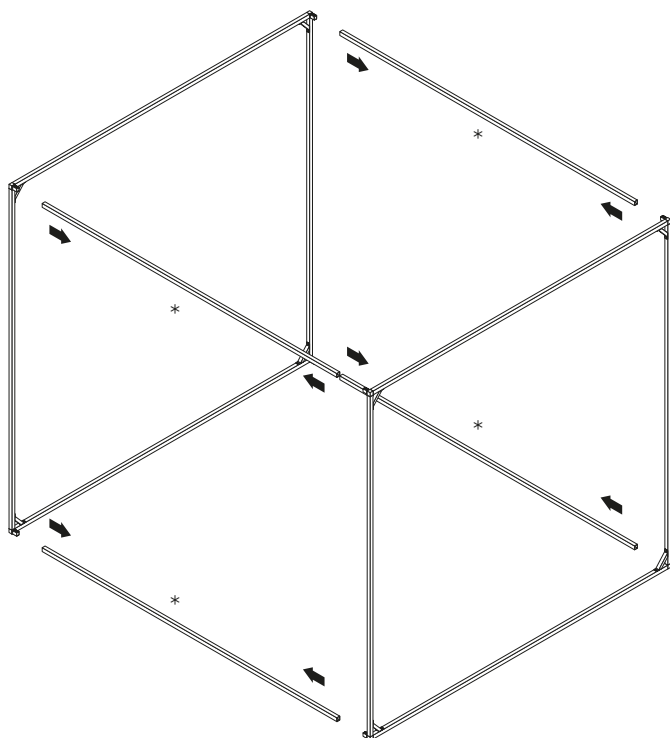
2.



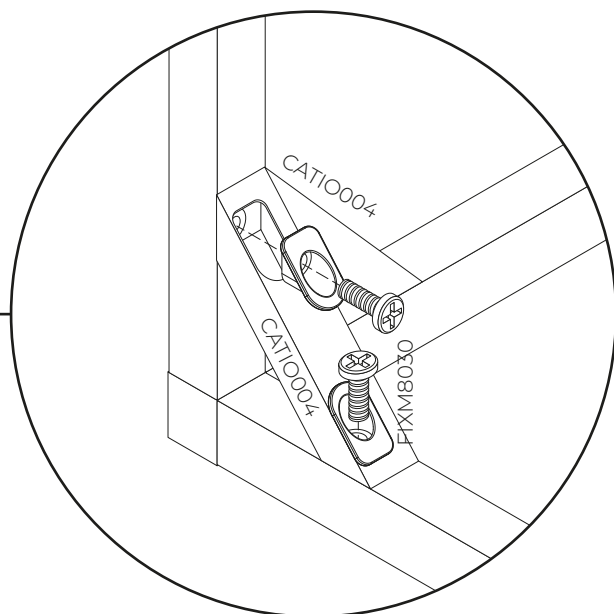
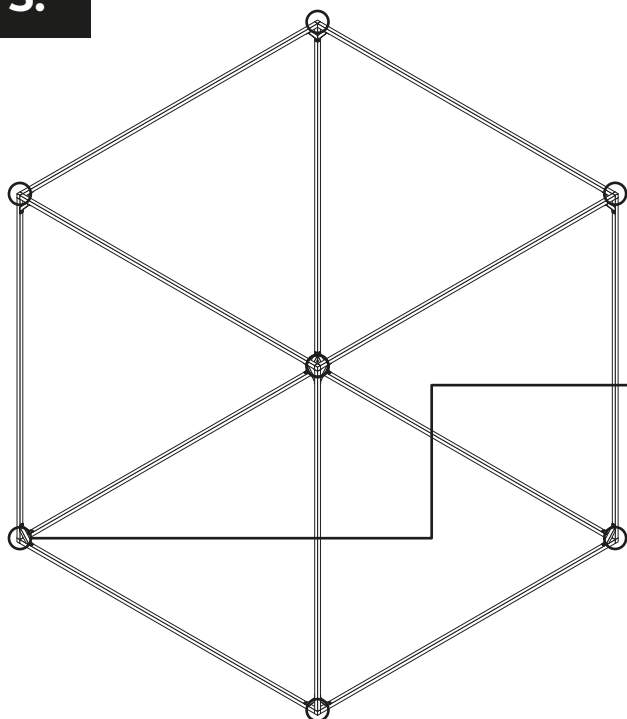
3.



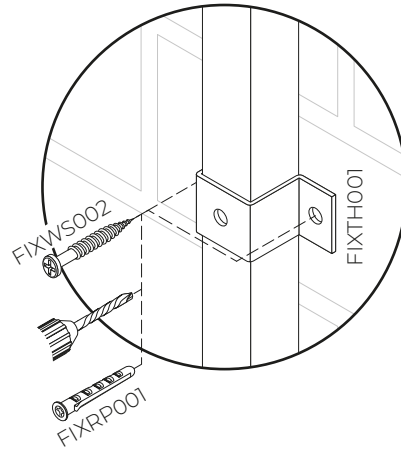
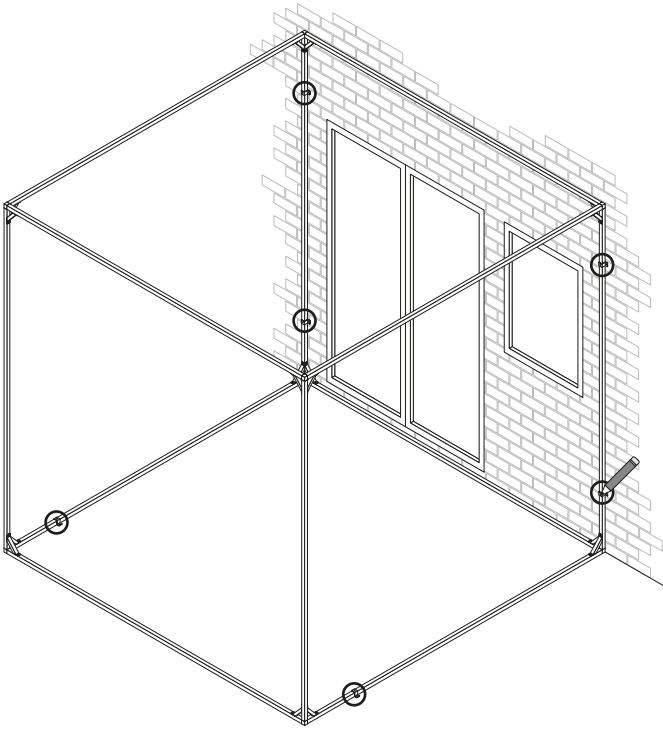
4.



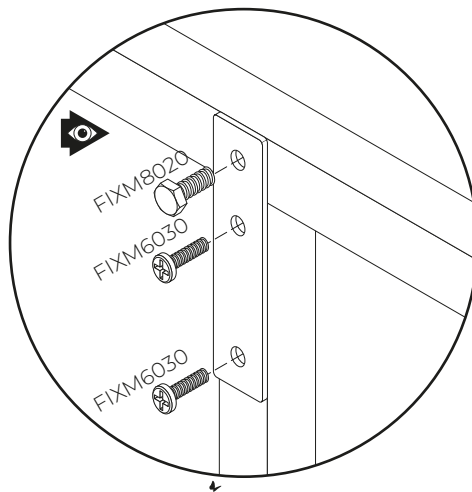
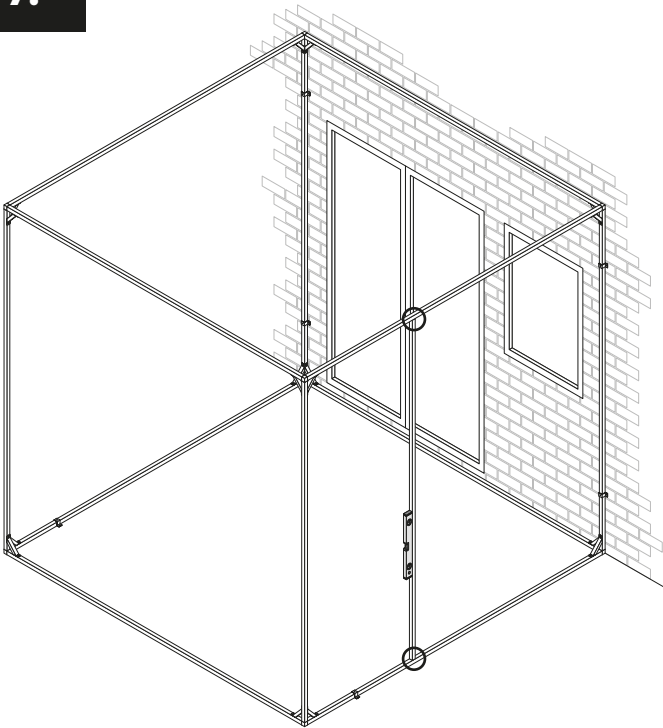
5.



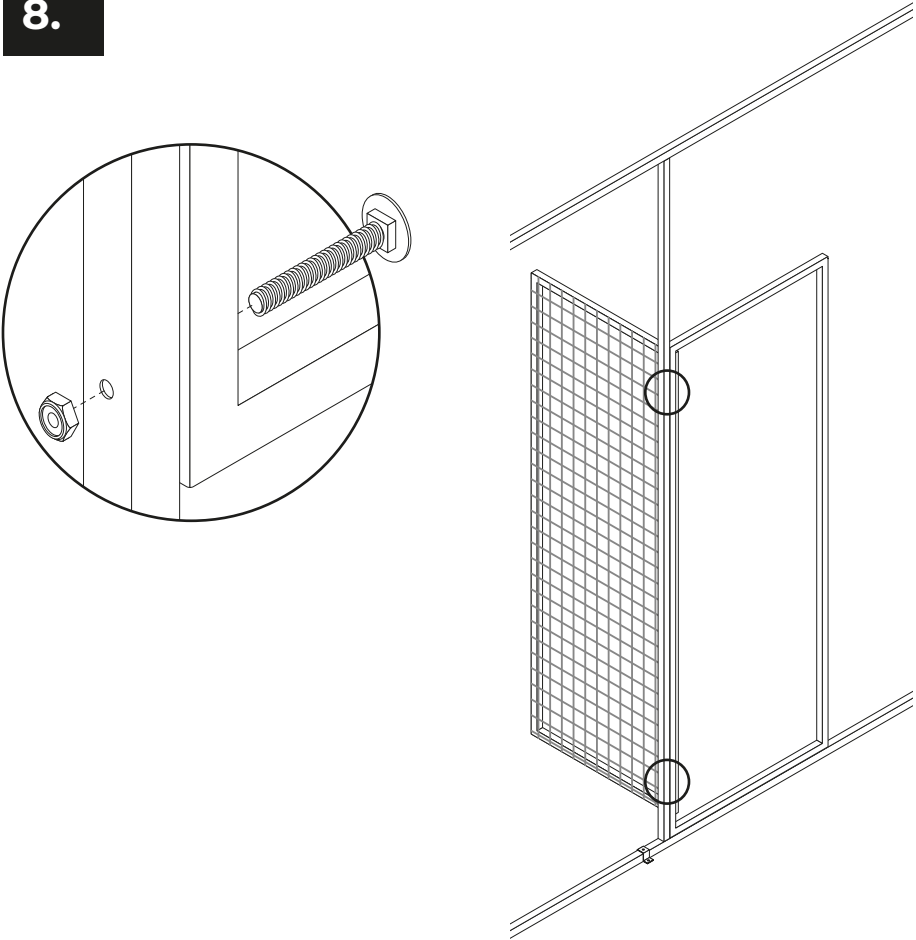
6.



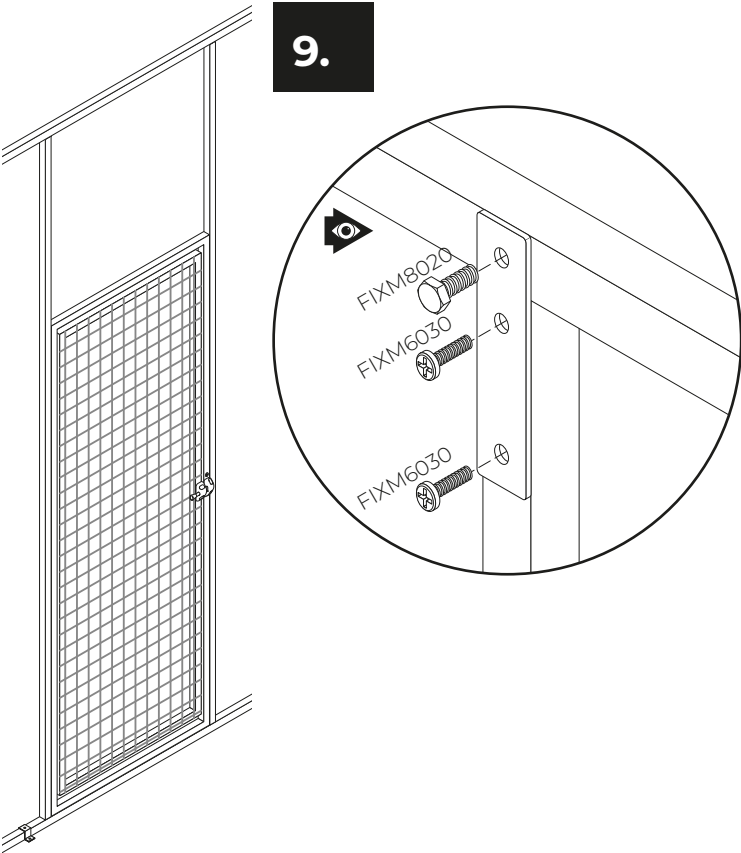
7.



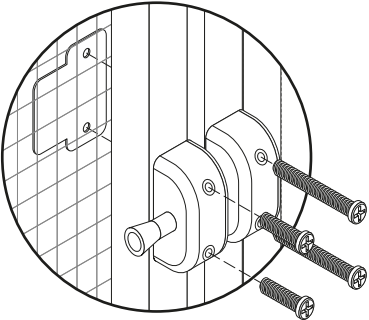
8.



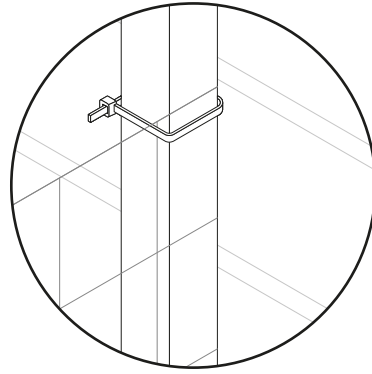
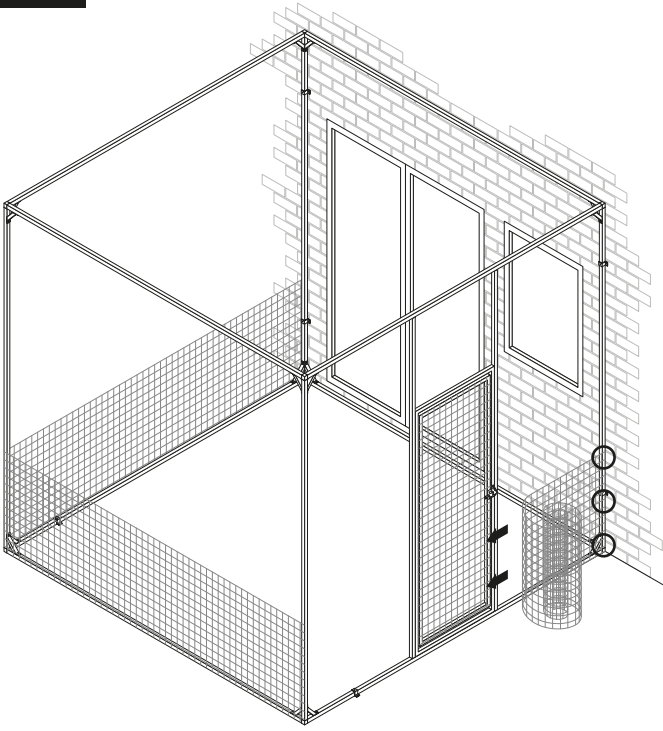
9.



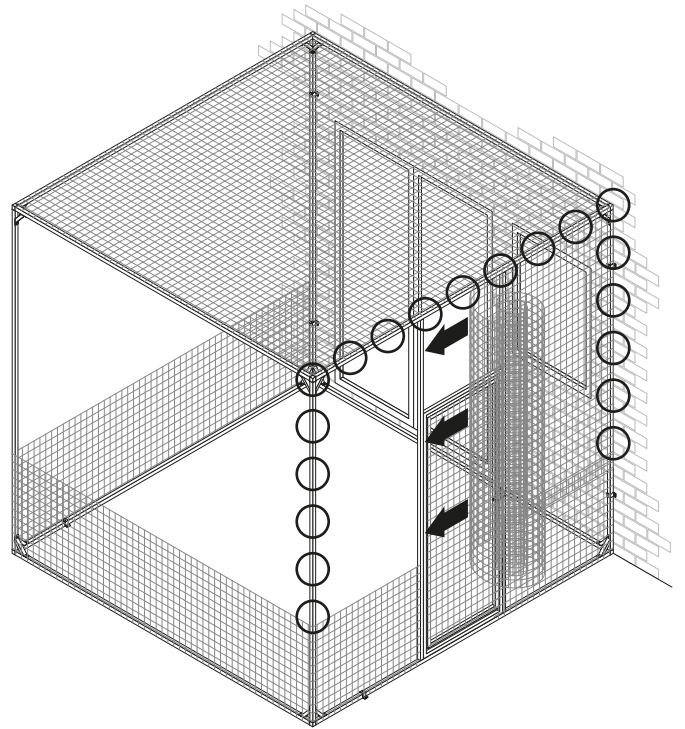
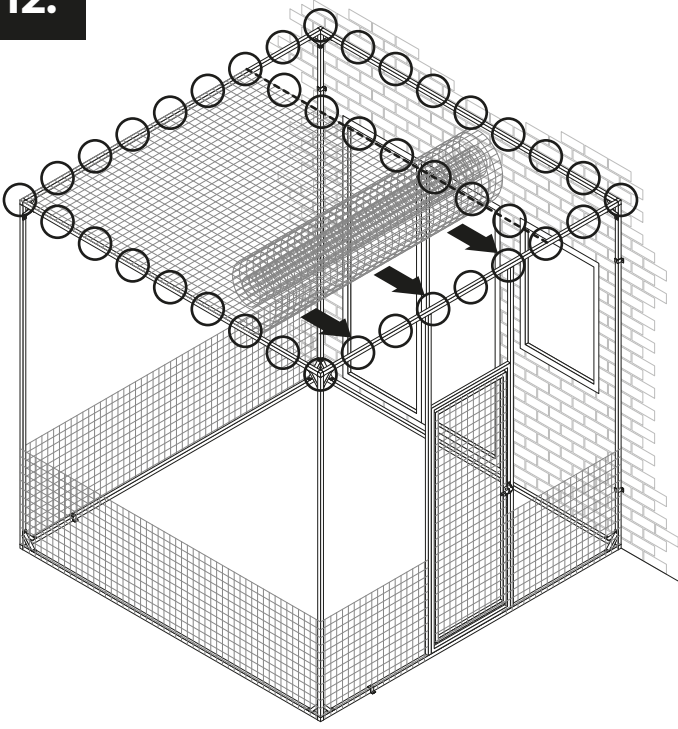
10.



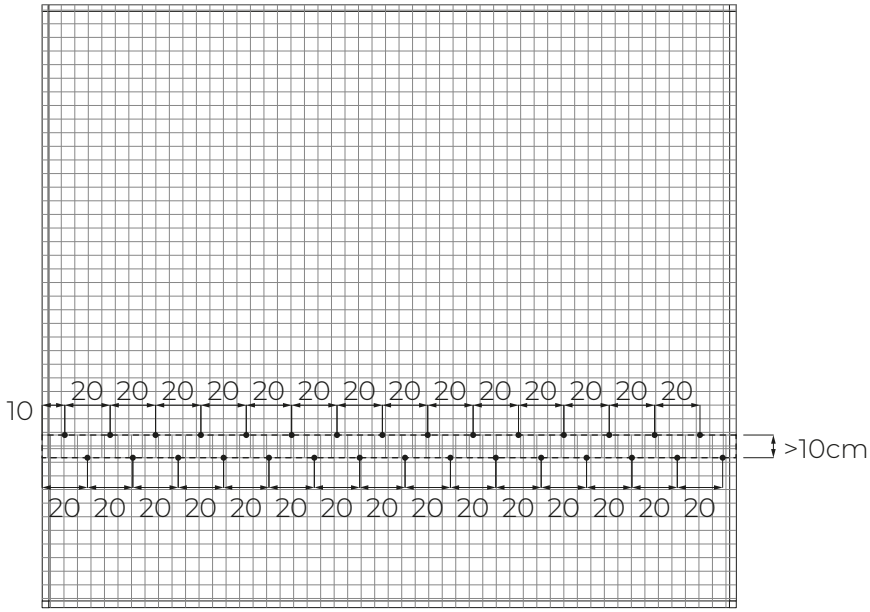
11.



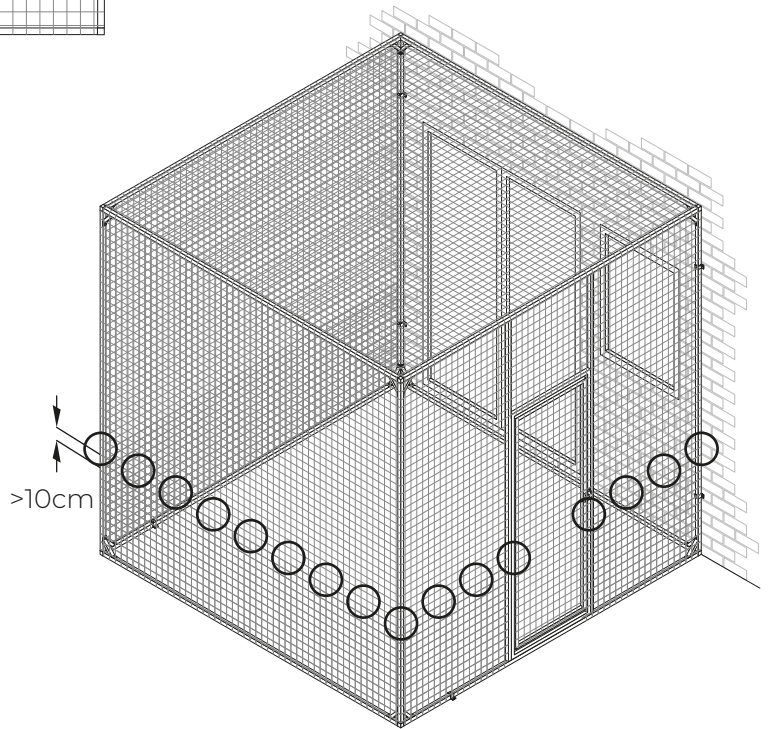
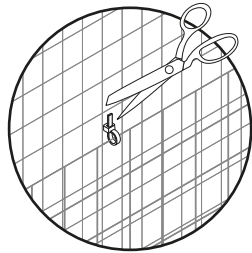
12.



Side elevation



(cm)





www.protectapet.com T: **0800 999 4008**

info@protectapet.com

